



RevEAL
 Revolutionary Entertainment & Architectural Lighting™

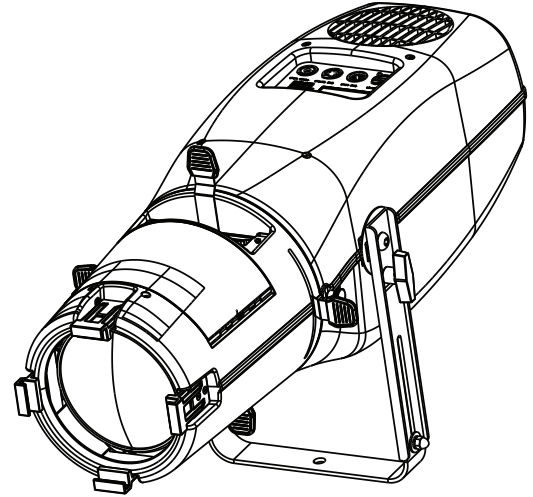
PROFILE

Prism Projection's RevEAL Profile luminaire is a true high-CRI, LED Profile Spot with high lumen output. Its debut follows the successful launch of the multi-award winning RevEAL Color Wash (RevEAL CW) last year.

The new 16,000-lumen fixture features a variable CCT range (2,500K-10,000K), adjustable focus from hard to very soft edge, changeable lenses for beam angles from 14° to 36°, and a flat field. It also offers four shutters on a tri-plane; an M-sized area of a B-Sized gobo; DMX, Artnet and local control; and universal AC input (90-260 VAC).

RevEAL products also produce an extended color gamut using a five-color mixing process: red, green, blue, cyan and amber. The advanced optical algorithms produce amazingly pure and consistent colors, including white light with a CRI above 93.

In addition, the products encompass a realtime tri-stimulus optical feedback sensor, which, through constant monitoring of the light output, ensures precise and accurate color. The optical sensor feeding color data to advanced algorithms guarantees performance. All of Prism Projection's RevEAL products produce a fully-blended LED beam. They combine multiple LED colors into a single (source) beam, thus eliminating color separation and displeasing striations in the beam and delivering uniform and consistent beam quality.



Features

- » 16,000 Lumen Output
- » **TrueSource®** - Integrated Optical Feedback for Specifiable and Repeatable Color
- » Tunable White CCT (2,500K-10,000K)
- » 4 Shutters on a Tri-plane, M-Sized Gobo
- » Adjustable Focus (Hard to Very Soft Edge)
- » Changeable Lenses for Beam Angles from 14° to 36°
- » Flat Field
- » Extended Color Gamut with Five Primaries
- » Color Rendering Index (CRI) Exceeds 93
- » Overall Dimensions 33 x 11 x 11 inches
- » Weight 35 lbs
- » DMX, Artnet, and Local Control
- » 350 Watts
- » Universal AC Input (90-260 VAC)

Ordering Information:

P1-16K6-L14-001	Profile 14°, Black
P1-16K6-L19-001	Profile 19°, Black
P1-16K6-L26-001	Profile 26°, Black
P1-16K6-L36-001	Profile 36°, Black

Accessories / Options:

PHD-L14	14° Lens - High Definition
PHD-L19	19° Lens - High Definition
PHD-L26	26° Lens - High Definition
PHD-L36	36° Lens - High Definition

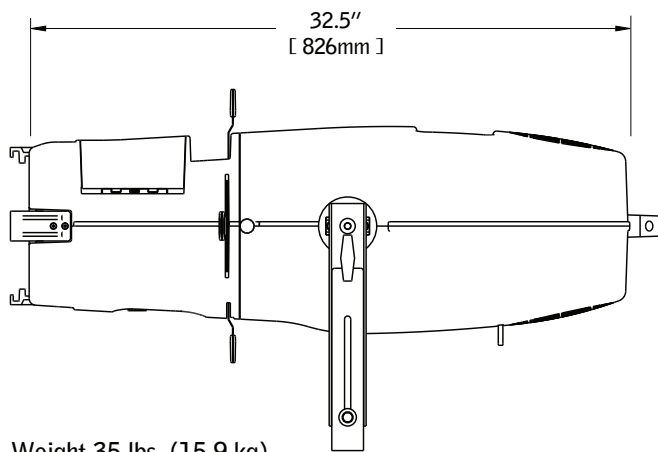
Prism Projection, Inc. © Copyright 2011. All Rights Reserved. Multiple International Patents Pending

www.prismprojection.com | info@prismprojection.com

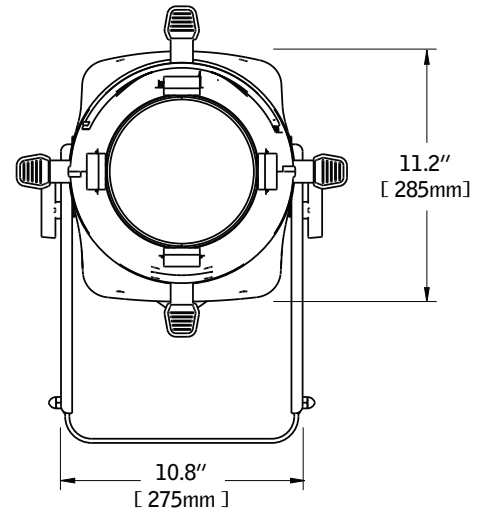
8228 East 124th St. South | Sully, IA 50251-0448 | 641-594-3356

Revolutionary Entertainment & Architectural Lighting™

Physical

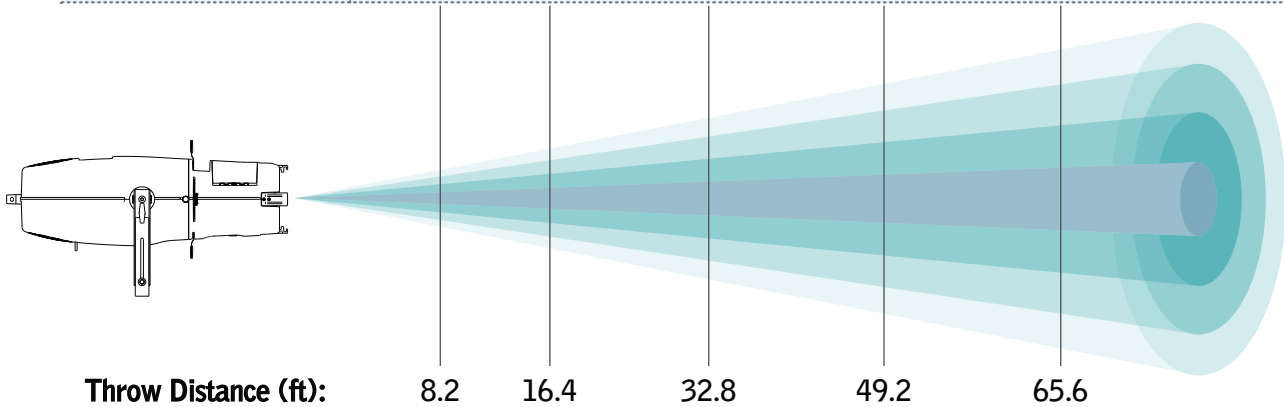


Weight 35 lbs. (15.9 kg)



Photometrics

Beam Angle	Beam Diameter (ft)				
14°	-	4.0	8.1	12.1	16.1
19°	-	5.5	11.0	16.5	22.0
26°	3.8	7.6	15.1	22.7	-
36°	5.3	10.7	21.3	32.0	-



Beam Angle	Average Illuminance (fc)					Field Lumens*
14°	-	1,035	258	115	64	13,201
19°	-	484	121	53	30	11,486
26°	1,248	312	78	34	-	14,064
36°	655	164	41	18	-	14,630

*Photometric values measured at 3250K

Prism Projection, Inc. © Copyright 2011. All Rights Reserved. Multiple International Patents Pending

www.prismprojection.com | info@prismprojection.com

8228 East 124th St. South | Sully, IA 50251-0448 | 641-594-3356

