



**ReVEAL**  
 Revolutionary Entertainment & Architectural Lighting™

**STUDIO.3**

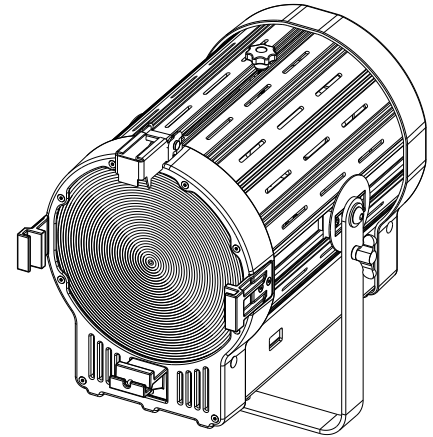
The RevEAL Studio.3 from Prism Projection is a professional grade LED fresnel lighting instrument with high lumen output in three models: a Variable CCT 2700–6000K, a Fixed 3000K Tungsten and 5600K Daylight. The Studio.3 offers superior color rendition guaranteed by TrueSource® color management technology. The RevEAL Studio.3 illumination sources are energy efficient and long lasting solid-state LEDs that are applied with proprietary control algorithms and projection optics.

Prism Projection’s TrueSource® technology unlocks the potential of light emitting diodes (LED) with real-time color calibration, providing a lighting instrument of exceptional utility and quality previously only approached by conventional sources.

With an output of over 9700 lumens, the RevEAL Studio.3 offers an 8-90 degree adjustable beam with fully-functional barn doors for true fresnel performance. In addition, the RevEAL Studio.3 features local, DMX, and ethernet control of CCT and intensity.

The RevEAL Studio.3 is engineered for professional lighting design in a range of applications including broadcast, film, event, architectural, and theatrical. The RevEAL Studio.3 is a solid-state LED alternative to conventional fresnel fixtures, vastly reducing power consumption, heat, and maintenance without compromising lighting design or expectations. Seeing is Believing™

- Daylight - 5600K
- Tungsten - 3000K
- Variable CCT - 2700-6000K



**PRISM**

See what you’ve been missing™

**Features**

- » Variable CCT (2700-6000K), Fixed 3000K, Fixed 5600K
- » **TrueSource®** - Integrated Optical Feedback for Specifiable and Repeatable Color
- » Over 9700 Lumens, Output of a 2K Conventional
- » Smooth, Continuous 0-100% Dimming
- » Adjustable Beam 8-90°
- » High CRI White
- » Local or Remote CCT and Intensity Control
- » Six Foot PowerCon to Edison Power Cable Included
- » No Degrading Ultraviolet or Uncomfortable Infrared
- » 50,000 Hours at 70% Lumen Maintenance
- » Environmentally Friendly and Sustainable

**Ordering Information**

SF3-VW-97H5-001	Studio Fresnel, Var. White
SF3-TN-97H5-001	Studio Fresnel, Tungsten
SF3-DL-97H5-001	Studio Fresnel, Daylight

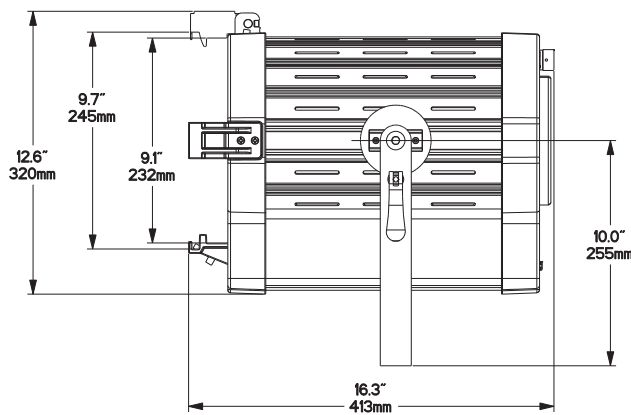
**Accessories/Options**

BD	Barn Door
TH	Top Hat

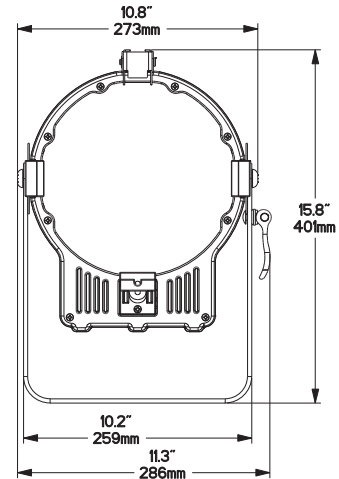


Revolutionary Entertainment & Architectural Lighting™

## Physical



Weight 28 lbs. (12.7 kg)

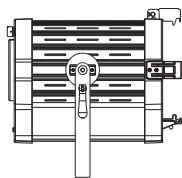


## Electrical

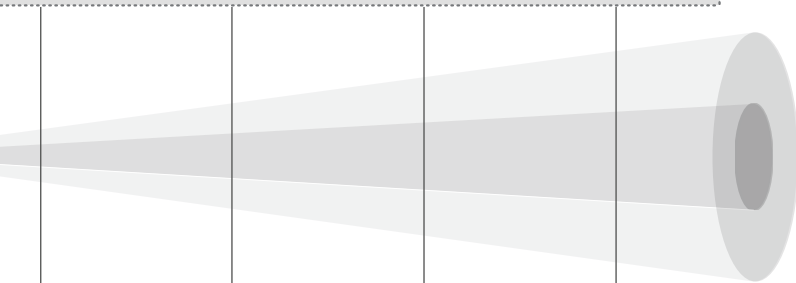
Input Range:		Frequency:	PF:	Power:
AC	85-268 V	47-63 Hz	> 0.9	230 W

## Photometrics

Beam Angle	Beam Diameter ( ft )			
	10°	1.7	3.5	5.2
90°	20.0	40.0	60.0	80.0



Throw Distance (ft):



10.0      20.0      30.0      40.0

Beam Angle	Average Illuminance ( fc )			
	10°	2385	596	265
90°	112	28	12	7
<b>Field Lumens</b>	<b>9700</b>			